



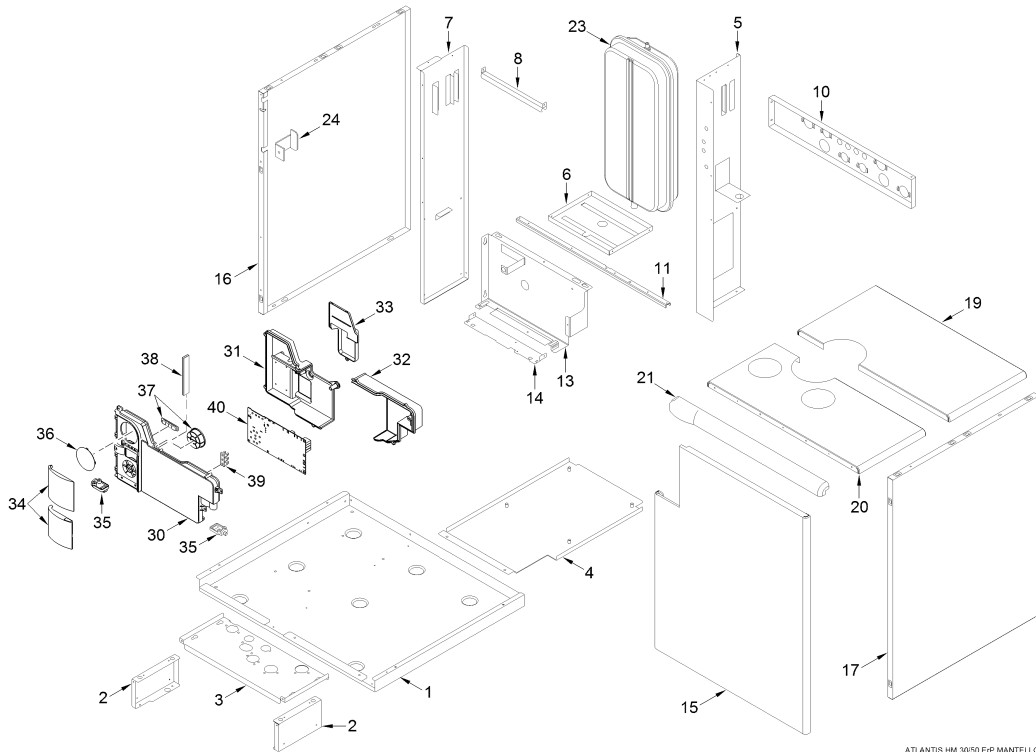
Fonderie Sime S.p.A. - Via Garbo, 27 - 37045 Legnago (VR) - [www.sime.it](http://www.sime.it)  
Tribunale Verona 13531 - R.E.A. VR 171357 - C.C.P. 19423375 - N° Mecc. VR 014435  
Capitale Sociale Euro 5.521.200 int. versato - Codice Fiscale/Partita IVA n. IT 01275930236

Comfort Ambiente - Via Garbo, 27 - 37045 Legnago (VR)

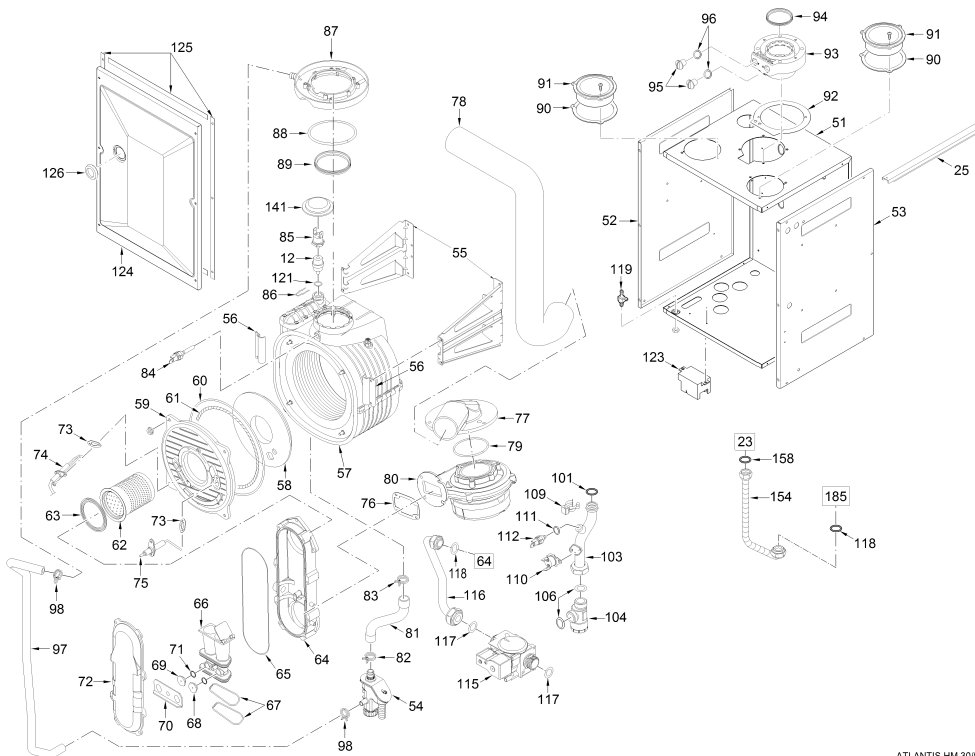
Tel +39 0442 631111 - Fax Servizio Commerciale: Italia +39 0442 631291 - Estero +39 0442 631293

Fax Servizio Tecnico +39 0442 631292 - Fax Ufficio Acquisti +39 0442 631292 - Fax Amministrazione +39 0442 631336

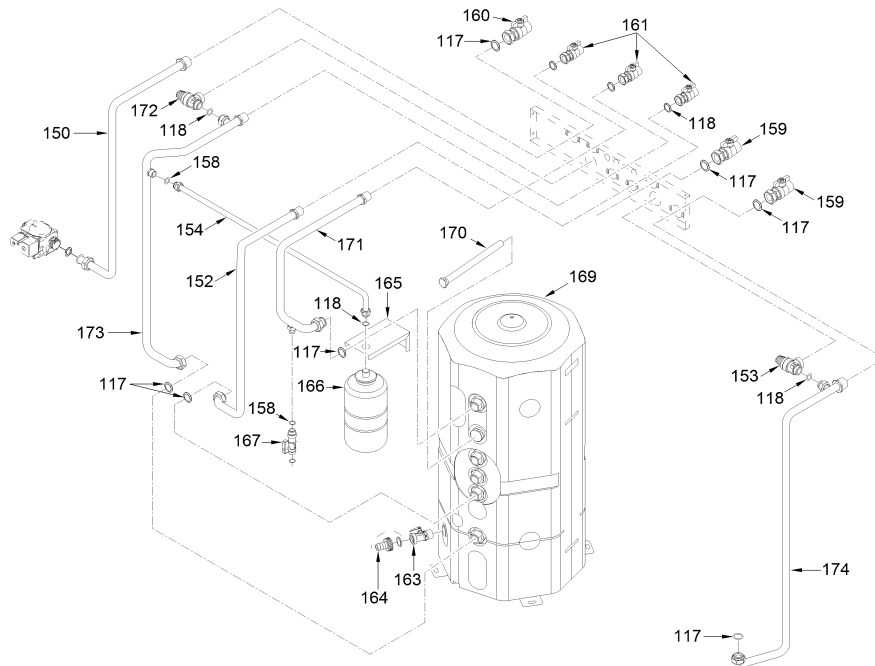
8111311 ATLANTIS HM 30/50 ErP



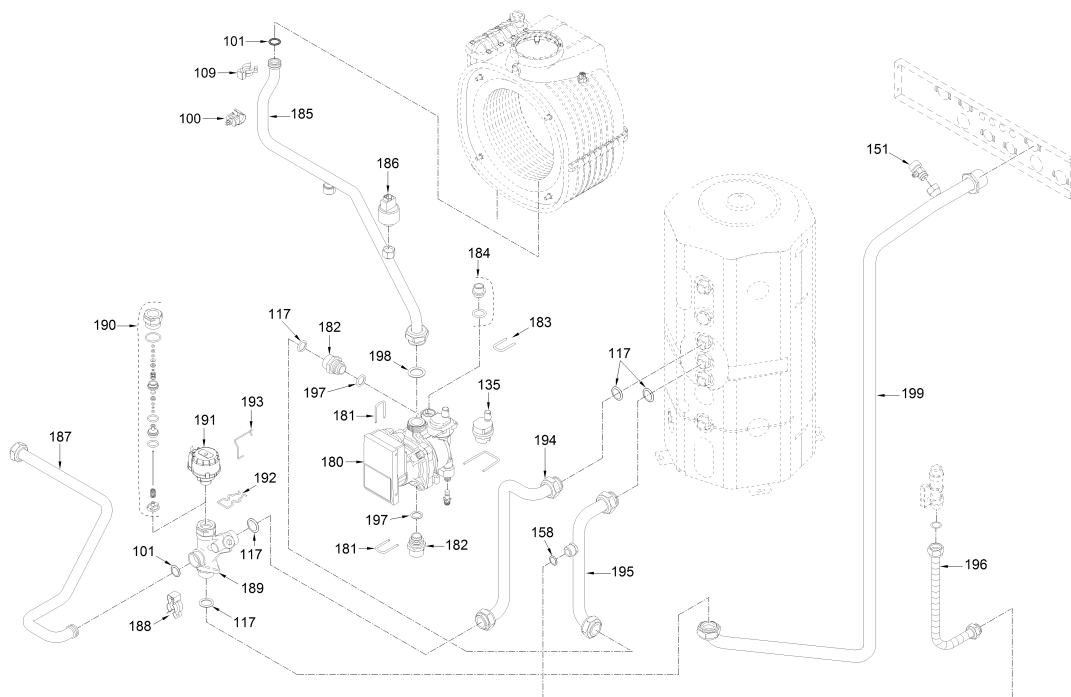
ATLANTIS HM 30/50 ErP MANTELLO



ATLANTIS HM 30/50 ErP INTERNO



ATLANTIS HM 30/50 E/P IMPIANTO



ATLANTIS HM 30-50 E/P gruppo idraulico

**ATTENTION: use only original spare parts. Failure to comply with the above may compromise the safety of the device and the immediate forfeiture of the warranty.**

Position	Code	Description	Where used	Advised parts	Price list
001	6261590	Tray			0.0
002	6267143	Right/left bracket			9.72
003	6267192	Hydraul.group supp.bracket DIN			0.0
004	6258730	Lower supporting bracket			0.0
005	6267136	Bracket			40.12
006	6267134	Bracket			13.37
007	6267135	Bracket			30.37
008	6267144	Bracket			7.54
009	6267137	Bracket			30.37
010	6267147	Rear jig			0.0
011	6256738	Spacer			0.0
013	6267138	Rotation control panel bracket			51.06
014	6250021	Rotation control panel bracket			14.57
015	6323621	Casing front upper door			0.0

016	6323401	Casing left hand side panel		56.36
017	6323521	Casing right hand side panel		55.38
019	6323741	Casing rear cover		0.0
020	6323731	Casing cover front panel		49.83
021	6282111	Section casing top cover L=699		24.32
023	5183720	Rectang. expansion vessel 10 l.		61.83
024	6267142	Bracket		6.08
025	6267145	Fixing bracket		5.22
030	6304700	Control panel		18.42
031	6305000	Cover		7.91
032	6305010	connection cover		7.91
033	6305020	Time programmer cover		7.91
034	6304890	Flap door assembly		11.83
035	6302000	Plastic pin		5.24
036	6247327	Cap for time programmer		5.24
037	6305120	Kit Rubber button		17.09
038	6305160	Guidelight with led	A	18.42
039	2211610	Earth faston		2.63
040	6301480	Main PCB	A	243.34
051	6266074	Sealed chamber rear panel		21.03
052	6266152	Sealed chamber left hand side p		19.73
053	6266153	Sealed chamber right hand side		19.73
054	6277210	Water trap		18.53
055	6010833	Main exchanger supporting brack		11.83
056	6010829	Main exchanger fixing bracket		5.24
057	6278912	Main exchanger body		647.09
058	6269008	Main exchanger door insulation		18.42
059	5188361	Main exch.door+gasket+peephole		66.07
060	6248870	Combustion chamber O-ring		5.57
061	6248871	Glass fibre sealing cord		5.45
062	6278359	Premix burner		44.71
063	6174823	Gasket for burner flange		5.24
064	6278813	Air-gas hose lower side		26.31
065	6226465	O-ring Ø 183,83x2,62		23.67
066	5200300	Air/gas mixer assembly		21.03
067	6226470	ORing 52,07 x 2,62		1.28
068	6322300	Round nozzle Ø 2,80	MET	10.53
068A	6322302	Round nozzle Ø 2,20	GPL	10.53
069	6322350	Hexagonal nozzle Ø 3,80	MET	10.53
069A	6322352	Hexagonal nozzle Ø 2,90	GPL	10.53
070	6267119	Nozzle locking bracket		2.63
071	6226403	O-ring 2031		0.9
072	6278812	Air-gas hose upper side		13.13
073	6174809	Gasket for ignition electrode		2.63
074	6221632	Ignition electrode	A	32.88
075	6221623	Ionisation electrode	A	19.17
076	6174816	Gasket for fan flange		1.3
077	6034305	Elbow flange		5.24
078	6001151	Air intake pipe 39		13.13
079	6226410	O-Ring Ø 63 x 3		1.3
080	6261408	Fan	A	222.27
081	6034155	Condensate drainage pipe		6.57
082	2051122	Clamp		0.68
083	2051123	Clamp diam.		0.68
084	6277130	Probe NTC D.4X40	A	19.73
085	6146728	Limit stat auto reset 80°C	A	10.53
086	6226624	Spring air vent knob		10.53
087	6288010	Size pick up condensate		6.57
088	6226451	O-Ring type		10.53
089	6248828	Air inlet gasket Ø80		5.24
090	6028707	Air intake gasket		1.3
091	6288000	Air intake		7.91
092	6028710	Air/smoke manifold gasket		5.24
093	6287912	Air/smoke manifold		22.37
094	6248817	Lip seal for Ø 60 pipe		7.91
095	6147409	Air/smoke manifold plug M14x1.5		2.63
096	6226417	O-ring 3043		0.9
097	1010215	Rubber pipe dia. 15x2,5		13.13
098	2051120	Clamp diam. 17,3		1.3
100	6231360	Temperature sensor	A	13.13
101	6226412	O-ring 3068		1.3
103	6277723	Pipe connect. exchanger-C.H fil		17.09
104	6295501	C.H. filter 3/4"M x 3/4"M		11.83
106	2030252	Piracriten gasket Ø 16x24,5x2		0.68
109	6226619	Spring for heat exchanger conne		5.24
110	6146701	100°C safety stat	A	13.13
111	6022010	Sensor gasket		1.3

112	6231351	Plunged sensor	A	10.53
115	6243837	Gas valve	A	102.66
116	6277428	Pipe connecting gas valve-mixer		0.0
117	2030228	Gasket Ø 17x24x2		0.68
118	2030255	Gasket Ø 12,5x18,5x3		0.68
119	6280590	Three way fitting + cap kit		5.74
123	6098315	Ignition transformer	A	18.42
124	6288314	Sealed chamber front panel		22.37
125	5192206	Gasket for sealed chamber		17.09
126	6001210	Peephole		6.57
135	6013182	Automatic air vent	A	17.09
141	6226754	Rubber plug		7.91
150	6195209	Gas inlet pipe		0.0
151	6017202	Manual air vent 1/4" type 337		7.91
152	6297203	Pipe conn. D.H.W. tank-recircul		43.33
153	6040200	Pressure relief valve 1/2" 3 ba	A	14.47
154	6017401	Flexible pipe		10.53
158	2030226	Gasket Ø 10,2x14,8x2		0.68
159	6177515	Ball cock 3/4" MF		19.73
160	6177516	Gas cock 3/4"		18.42
161	6177517	Ball cock 1/2" MF		18.42
163	6179102	Drain cock 1/2"		13.13
164	6179200	Holder complete with locking nu		5.24
165	6267151	Expansion vessel locking bracke		0.0
166	6245102	Sanitary D.H.W. tank - 2.5 L.		57.62
167	6146601	Boiler loop 3/8"		13.13
169	5192730	Inox D.H.W. cylinder l. 50		931.82
170	6072709	Magnes. anode Ø21,3 L=280 3/4"		26.31
171	6204118	D.H.W. outlet pipe		44.71
172	6029000	Pressure relief valve 1/2" - 7	A	13.13
173	6204014	D.H.W. inlet pipe		66.85
174	6292205	C.H. return pipe		0.0
180	6272323	Modulating circulating pump		242.34
181	6226644	Spring clip for rotating connec		0.62
182	6120560	Pump nipple 3/4"		10.95
183	6226643	Pipe fixing spring		0.99
184	6119374	Tap + or		7.47
185	6227477	C.H. return pipe		0.0
186	6273603	Water press.transd. HUBA CONTR		43.4
187	6277797	Pipe connect. C.H. filter-C.H.		0.0
188	6226601	Spring for heat exchanger conne		2.63
189	6265890	Flowing to C.H. system manifold		53.49
190	6319645	Three-way plates group	A	16.42
191	6087332	Motor for diverting valve	A	32.24
192	6226636	D.H.W. elektrovalve fix.spring		1.27
193	6226638	Divertor valve motor spring cli		2.42
194	6277957	Tanck flow pipe		0.0
195	6277956	Tank return pipe		0.0
196	6017404	Flexible pipe F-F.3/8X3/8 L270		7.91
197	6226475	ORing diam.18,64x3,53		0.32
198	2030257	Gasket diam. 30x22x3		3.3
199	6292117	C.H. flow pipe		0.0
700	6316213	3 pole cable connector CN14		9.21
701	6316202	Connector 4 poli CN6		6.57
702	6316203	Connector 4 poli CN4		6.57
703	6316204	Connector 8 poli CN7		9.21
704	6186587	Ionisation electrode cable		6.57
705	6281534	Gaskets kit		24.99
706	6319695	Murelle-Format-.....o-ring kit		9.21
707	5185139	Conversion kit to LPG		21.03
708	6319155	2 pole cable connector		5.24
709	6277101	External temperature sensor	A	32.83
710	6319163	3 pole cable connector		10.87
711	6299991	4 pole cable connector		11.83
712	6319196	9+5+4 cable connector	TO SN 4904301181	26.67
713	6319195	3 pole cable connector		14.54
714	6316200	Connector 2 poli		5.24
715	6231331	D.H.W. tank sensor B1	A	17.09
716	6245362	Pump connector L=1800		13.13
717	6281545	Replacement rear insulat. kit		26.31
718	6020103	Sight glass		3.65
719	6248872	Sight glass gasket		2.79
720	6311810	Glass fixing flange		3.88
721	5200901	Complete control panel DIN	TO SN 4904301181	0.0
722	6323896	14 pole cable connector		0.0

723	6323898	4 pole cable connector		13.37
724	6319700	Springs / clamps kit DIN		18.22
725	6319179	Modul.pump 3 pole female connec	TO SN 4904301181	0.0
726	5200902	Complete control panel	FROM SN 4904301182	0.0
727	6329454	9+5+4 pole cable connect. CN	FROM SN 4904301182	0.0
728	6329462	3 pole cable connector CN	FROM SN 4904301182	0.0
729	6274343	Silicone mixer flap		2.86

A = Spare parts for minimum fittings