



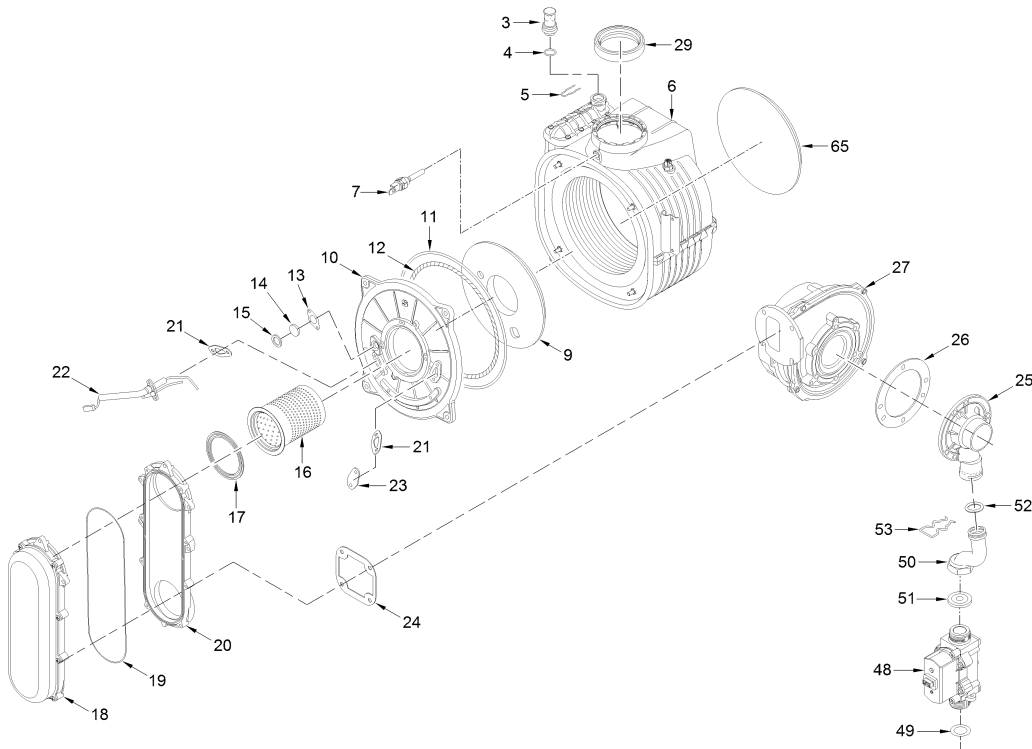
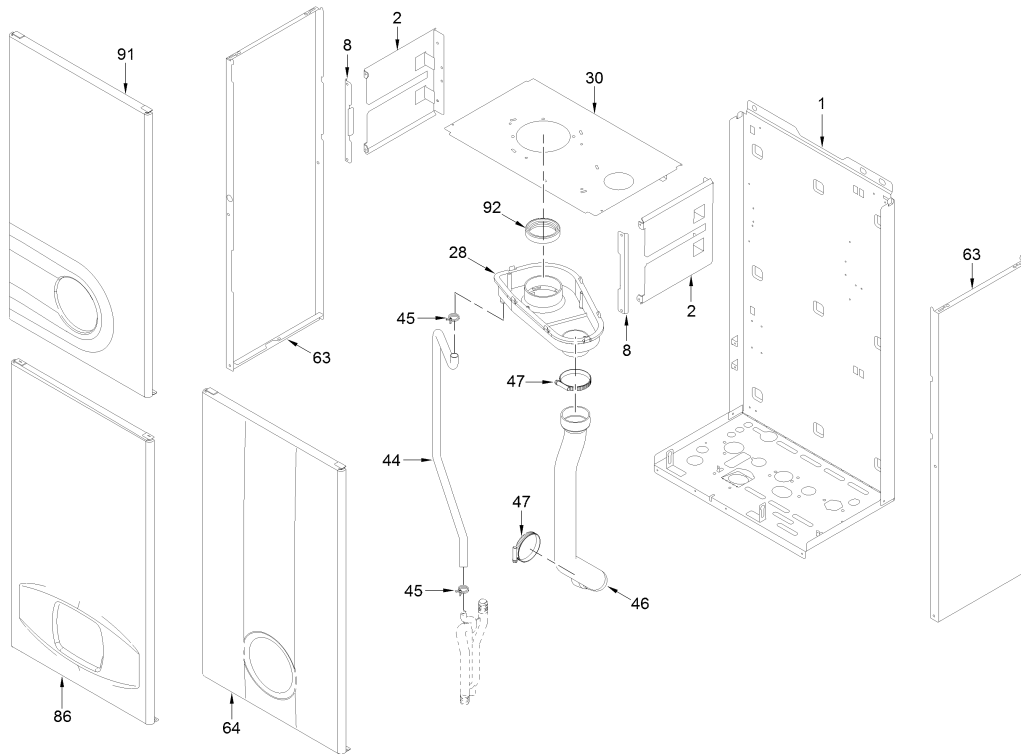
Fonderie Sime S.p.A. - Via Garbo, 27 - 37045 Legnago (VR) - www.sime.it
Tribunale Verona 13531 - R.E.A. VR 171357 - C.C.P. 19423375 - N° Mecc. VR 014435
Capitale Sociale Euro 5.521.200 int. versato - Codice Fiscale/Partita IVA n. IT 01275930236

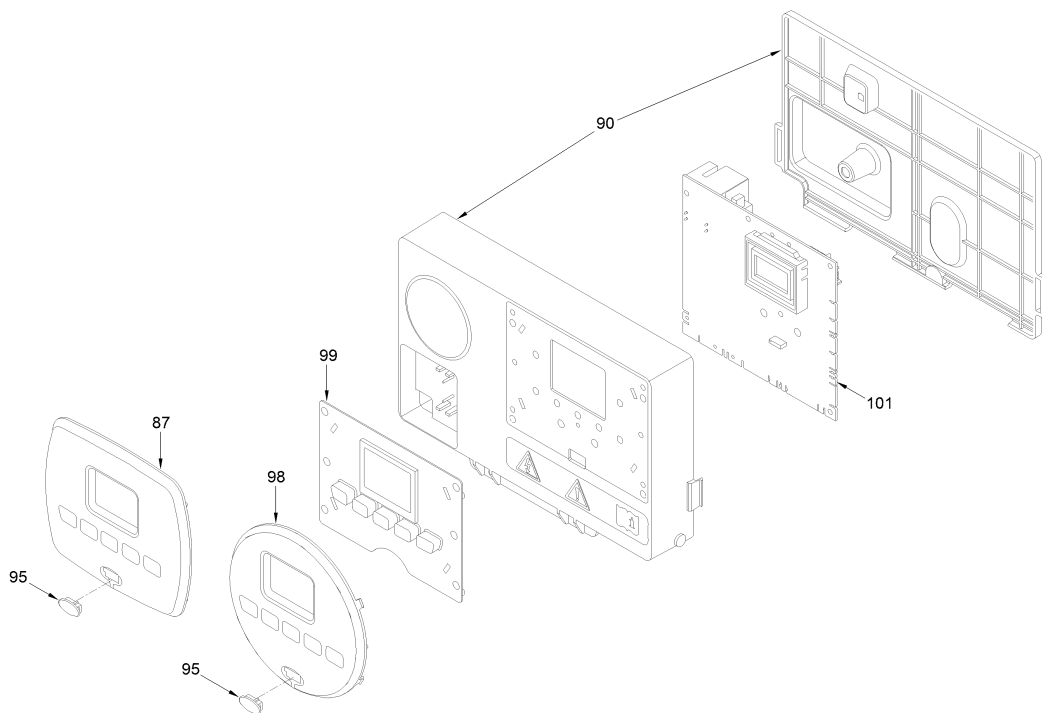
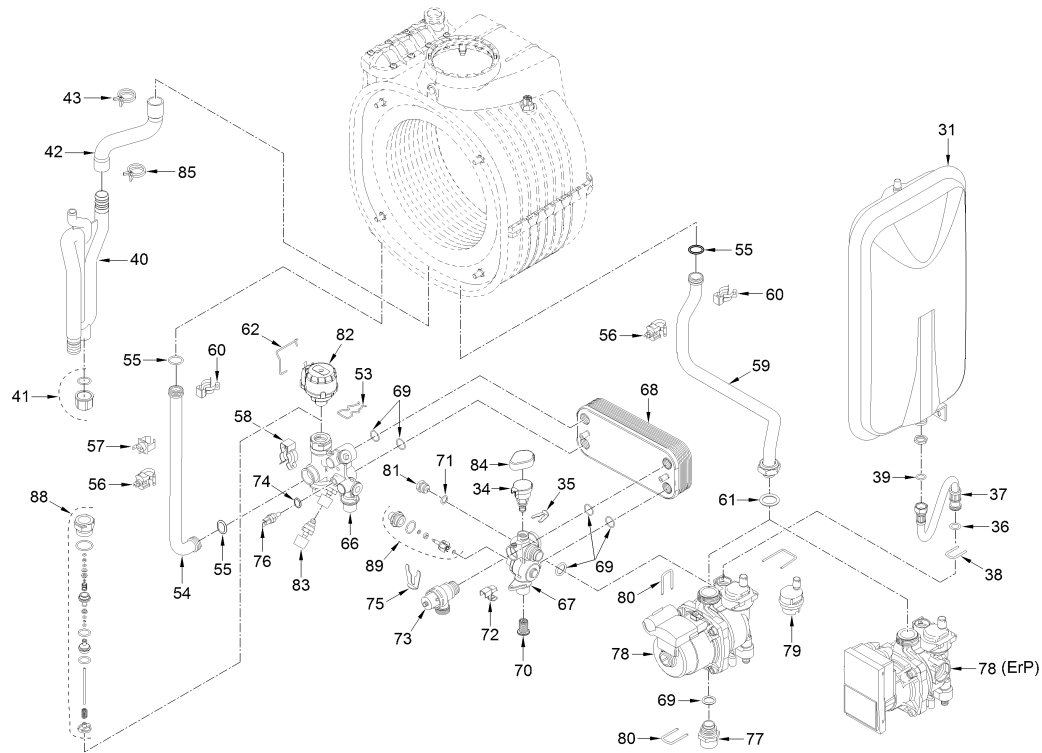
Comfort Ambiente - Via Garbo, 27 - 37045 Legnago (VR)

Tel +39 0442 631111 - Fax Servizio Commerciale: Italia +39 0442 631291 - Estero +39 0442 631293

Fax Servizio Tecnico +39 0442 631292 - Fax Ufficio Acquisti +39 0442 631292 - Fax Amministrazione +39 0442 631336

8114257 FORMAT SLIM HE 25 ErP





Position	Code	Description	Where used	Advised parts	Price list
001	6264560	Boiler fixing bracket			14.21
002	6010890	Support exchangers bracket			3.29
003	6147412	Plug for air vent connection			4.58
004	6226464	O-ring 115 diam. 11,91x2,62			1.14
005	6226624	Spring air vent knob			9.19
006	6278913	Main exchanger body		C	453.47
007	6277130	Probe NTC D.4X40		A	17.22
008	6010892	Support exchangers bracket			0.66
009	6269008	Main exchanger door insulation			16.07
010	5188361	Main exch.door+gasket+peephole			57.68
011	6248870	Combustion chamber O-ring			4.87
012	6248871	Glass fibre sealing cord			4.76
013	6311810	Glass fixing flange			3.4
014	6020103	Sight glass			3.18
015	6248872	Sight glass gasket			2.44
016	6278370	Premix burner			42.44

017	6174828	Gasket for burner flange			5.3
018	6278892	Air-gas hose			0.0
019	6174819	Air-gas hose gasket			8.91
020	6278891	Side low air-gas hose			0.0
021	6174809	Gasket for ignition electrode		B	2.29
022	6221670	Ignition-ionisation electrode		B	22.72
023	6285950	Bracket			0.76
024	6174816	Gasket for fan flange			1.14
025	6274390	Air/gas mixer			8.49
026	6028703	Gasket for duct flange		TO S.N.	4.58
026A	6028716	Gasket for fan/mixer		FROM S.N. C	2.29
027	6261412	Fan		A	194.02
028	6278703	Smoke chamber			12.21
029	6248828	Air inlet gasket Ø80			4.58
030	6291150	Upper protection shield			11.67
031	5183729	Rectang. expans.vessel 9 l. 3/8		C	46.54
032	6146101	Hydrometer		B	17.22
033	6226628	Hydrometer Fixing spring			1.14
034	6273608	Water pressure transducer			47.07
035	6226639	Spring clip			1.11
036	6226476	ORing diam.15x2		C	0.64
037	6017405	Flexible pipe M.F. 3/8" L=300			6.28
038	6226643	Pipe fixing spring			0.54
039	2030226	Gasket Ø 10,2x14,8x2		C	0.59
040	6277211	Water trap			10.93
041	6119381	Cap G 1/2"			10.3
042	6034155	Condensate drainage pipe			5.74
043	2051123	Clamp diam. 24,2			0.59
044	1010215	Rubber pipe dia. 15x2,5			11.47
045	2051120	Clamp diam. 17,3			1.14
046	6001162	Air intake pipe 40			14.43
047	2051203	Hose clamp Ø 40-60			7.96
048	6243838	Gas valve		A	55.62
049	2030249	Gasket Ø 24x17x3			0.59
050	6277445	Pipe connecting gas valve-mixer			6.58
051	6050471	Nozzle 530		MET / GPL	6.68
052	6226477	Rubber gasket OR Ø 17x3		C	0.42
053	6226636	D.H.W. elektrovalve fix.spring			1.11
054	6227462	Flowing pipe to C.H. system			5.3
055	6226412	O-ring 3068		C	1.14
056	6231372	Temperature sensor		A	10.28
057	6146729	100°C safety stat		A	7.8
058	6226601	Spring for heat exchanger conne			2.29
059	6227539	Return pipe from C.H. system			11.14
060	6226619	Spring for heat exchanger conne			4.58
061	2030267	Piracriten gasket Ø 30x17x2			0.7
062	6226638	Divertor valve motor spring cli			2.12
063	6304480	casing left/right side panel			28.64
065	6281545	Replacement rear insulat. kit			22.96
066	6265870	C.H. flow manifold			59.51
067	6265830	C.H. return manifold			29.22
068	6265656	12 plate-type heat exchanger		C	46.35
069	6226475	ORing diam.18,64x3,53		C	0.28
070	6222003	D.H.W. filter		C	0.28
071	2030225	Gasket Ø 5,5x11x2			0.59
072	6131440	Flowmeter sensor		A	8.65
073	6040226	Pressure relief valve 1/2" 3 ba		C	7.5
074	6022010	Sensor gasket			1.14
075	6226645	Spring clip			1.06
076	6231351	Plunged sensor		A	9.19
077	6120560	Pump nipple 3/4"			9.55
078	6272360	Modulating circulating pump			228.09
079	6013182	Automatic air vent		C	14.92
080	6226644	Spring clip for rotating connec			0.54
081	6147401	Plug 1/4"			2.29
082	6087332	Motor for diverting valve		B	28.14
083	6319639	Filling cock		C	19.48
084	6319650	Bitron transducer cap			1.14
085	2051122	Clamp diam. 22,1			0.59
086	6325072	Casing front panel			32.96
087	6304841	Interface panel			0.0
088	6319645	Three-way plates group		B	14.33
089	6319644	Flowmeter group		B	12.99
090	6304720	Control panel			24.76
092	6248855	P.C. inlet/outlet smokes gasket		C	5.74
095	6305140	Rubber cap			0.96
099	6305131	Rubber button			6.37

101	6324920	Main P.C.B.	A	125.53
700	6281534	Gaskets kit	C	21.82
701	6319695	Murelle-Format-.....o-ring kit	C	8.04
702	6211794	Peephole kit + gasket		23.34
703	6034130	Drain water flexible pipe		7.5
706	6323875	6 pole cable connector CN12		11.14
707	6323876	4 pole cable connector CN14		2.34
709	6323872	9 pole cable connector CN1		7.96
714	6319700	Springs / clamps kit DIN		15.91
715	5202551	Complete control panel	TO SN 4903300403	149.35
716	6325626	Pump-fan 4 pole connect. CN13	TO SN 4903300403	10.3
717	6325627	6 pole cable connector CN2	TO SN 4903300403	14.42
718	6325628	14 pole cable connect.CN15+CN5		22.66
719	5202553	Complete control panel	FROM SN 4903300404	0.0
720	6329446	4 pole cable connector CN13	FROM SN 4903300404	0.0
721	6329456	6 pole cable connector CN2	FROM SN 4903300404	0.0

A = Spare parts for minimum fittings
A+B = Spare parts for basic safety fittings
A+B+C = Spare parts for extended safety fittings