



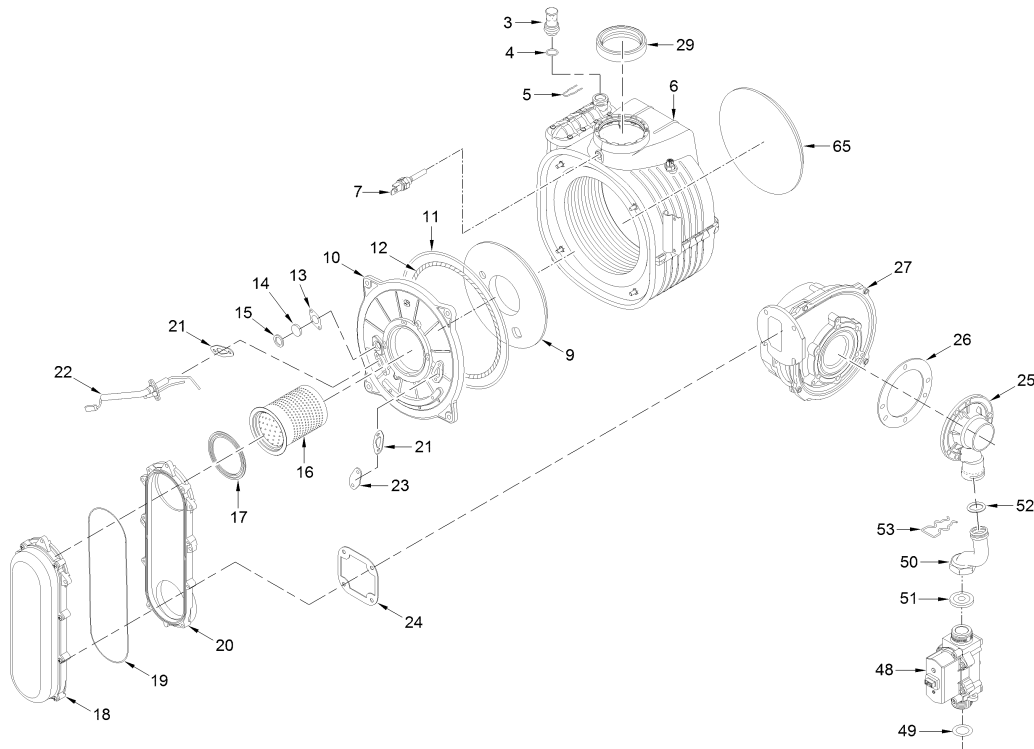
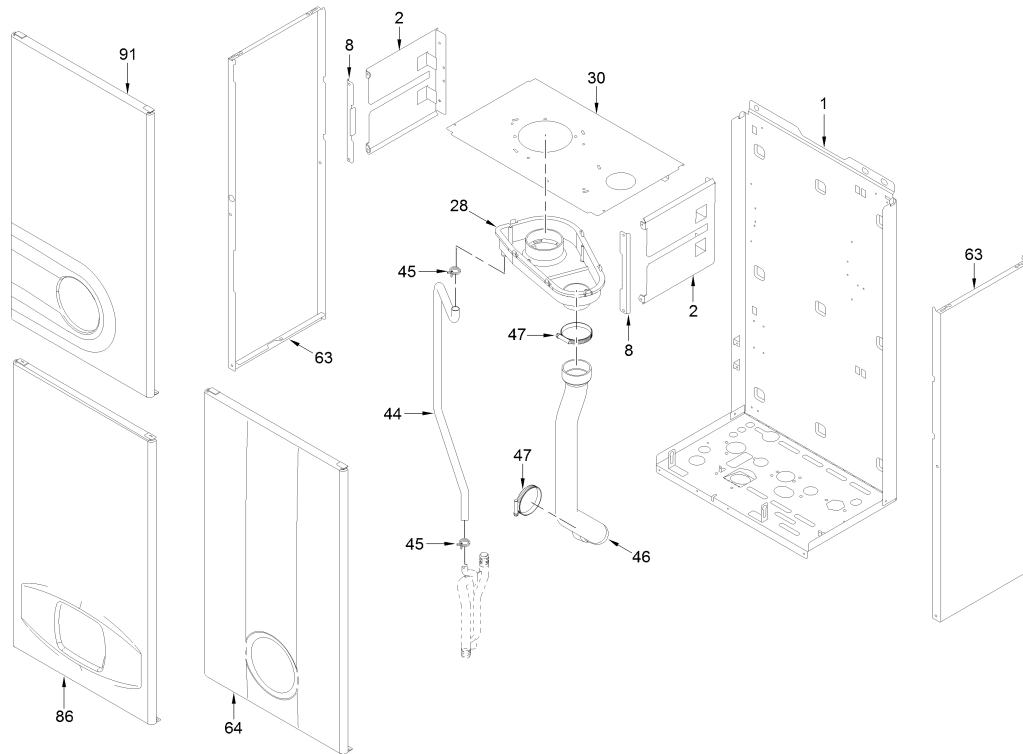
Fonderie Sime S.p.A. - Via Garbo, 27 - 37045 Legnago (VR) - www.sime.it
Tribunale Verona 13531 - R.E.A. VR 171357 - C.C.P. 19423375 - N° Mecc. VR 014435
Capitale Sociale Euro 5.521.200 int. versato - Codice Fiscale/Partita IVA n. IT 01275930236

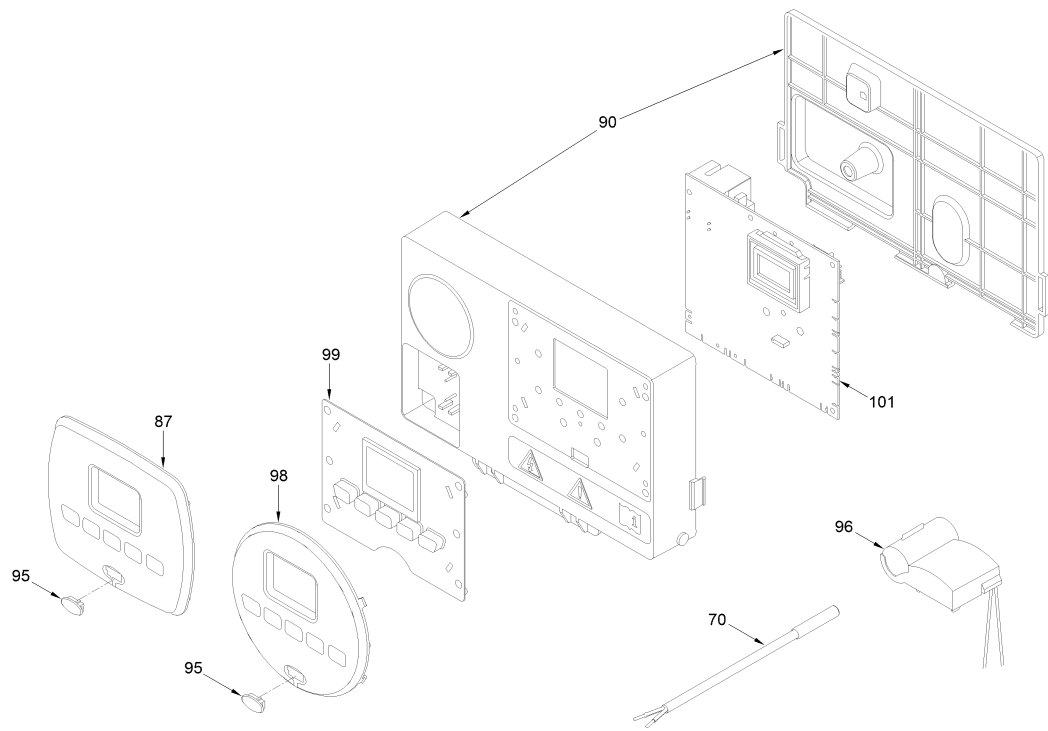
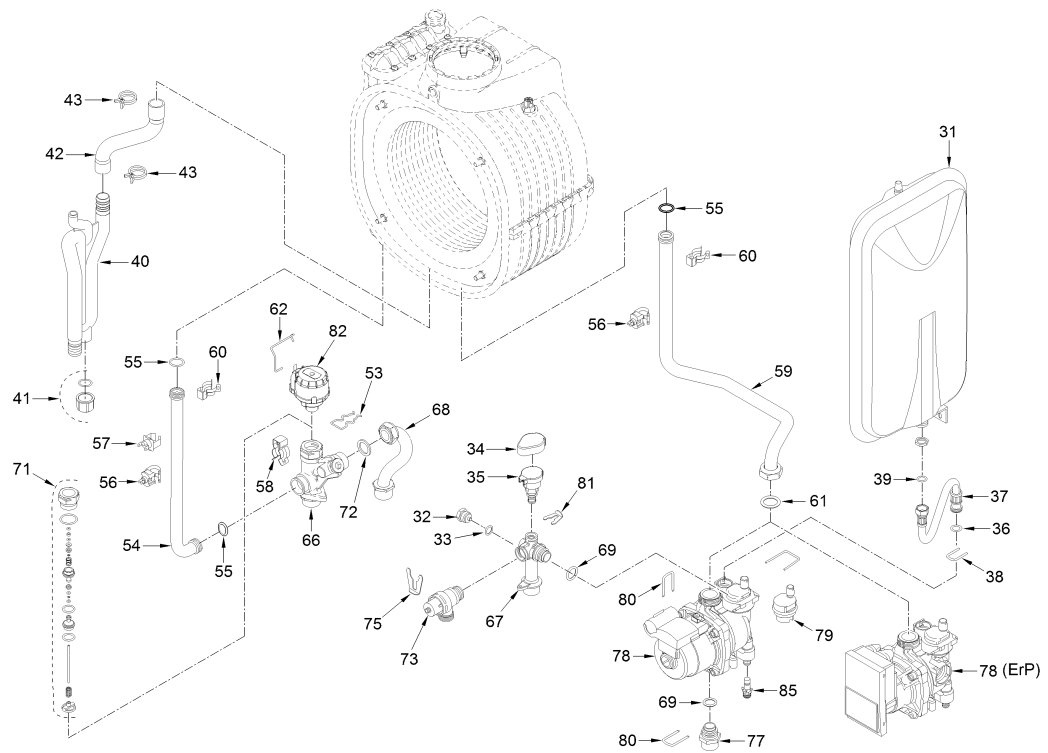
Comfort Ambiente - Via Garbo, 27 - 37045 Legnago (VR)

Tel +39 0442 631111 - Fax Servizio Commerciale: Italia +39 0442 631291 - Estero +39 0442 631293

Fax Servizio Tecnico +39 0442 631292 - Fax Ufficio Acquisti +39 0442 631292 - Fax Amministrazione +39 0442 631336

8114211 CALD.MET.FORMATSLIM HE 25T ErP





Posiz.	Codice	Descrizione
001	6264560	Boiler fixing bracket
002	6010890	Support exchangers bracket
003	6147412	Plug for air vent connection
004	6226464	O-ring 115 diam. 11,91x2,62
005	6226624	Spring air vent knob
006	6278913	Main exchanger body
007	6277130	Probe NTC D.4X40
008	6010892	Support exchangers bracket
009	6269008	Main exchanger door insulation
010	5188361	Main exchanger door
011	6248870	Combustion chamber O-ring
012	6248871	Glass fibre sealing cord
013	6311810	Glass fixing flange
014	6020103	Sight glass
015	6248872	Sight glass gasket
016	6278370	Premix burner

017	6174828	Gasket for burner flange
018	6278892	Air-gas hose
019	6174819	Air-gas hose gasket
020	6278891	Side low air-gas hose
021	6174809	Gasket for ignition electrode
022	6221670	Ignition-ionisation electrode
023	6285950	Bracket
024	6174816	Gasket for fan flange
025	6274390	Air/gas mixer
026	6028703	Gasket for duct flange
027	6261412	Fan
028	6278703	Smoke chamber
029	6248855	P.C. inlet/outlet smokes gasket
030	6291150	Upper protection shield
031	5183729	Rectang. expans.vessel 9 l. 3/8
032	6147401	Plug 1/4"
033	2030225	Gasket Ø 5,5x11x2
034	6319650	Bitron transducer cap
035	6273608	Water pressure transducer
036	6226476	ORing diam.15x2
037	6017405	Flexible pipe M.F. 3/8" L=300
038	6226643	Pipe fixing spring
039	2030226	Gasket Ø 10,2x14,8x2
040	6277211	Water trap
041	6119381	Cap G 1/2"
042	6034155	Condensate drainage pipe
043	2051123	Clamp diam. 24,2
044	1010215	Rubber pipe dia. 15x2,5
045	2051120	Clamp diam. 17,3
046	6001162	Air intake pipe 40
047	2051203	Hose clamp Ø 40-60
048	6243838	Gas valve
049	2030249	Gasket Ø 24x17x3
050	6277445	Pipe connecting gas valve-mixer
051	6050471	Nozzle 530
052	6226477	Rubber gasket OR Ø 17x3
053	6226636	D.H.W. elektrovalve fix.spring
054	6227462	Flowing pipe to C.H. system
055	6226412	O-ring 3068
056	6231372	Temperature sensor
057	6146729	100°C safety stat
058	6226601	Spring for heat exchanger conne
059	6227539	Return pipe from C.H. system
060	6226619	Spring for heat exchanger conne
061	2030267	Piracriten gasket Ø 30x17x2
062	6226638	Divertor valve motor spring cli
063	6304480	casing left/right side panel
065	6281545	Replacement rear insulat. kit
066	6265890	Flowing to C.H. system manifold
067	6265880	C.H. return manifold
068	6265022	D.H.W. storage tank flow pipe
069	6226475	ORing diam.18,64x3,53
070	6231331	D.H.W. tank sensor
071	6319645	Three-way plates group
072	2030228	Gasket Ø 17x24x2
073	6040211	Pressure relief valve 3 bar
075	6226626	Pipe fixing spring
077	6120560	Pump nipple 3/4"
078A	6272360	Modulating circulating pump
079	6013182	Automatic air vent
080	6226644	Spring clip for rotating connec
081	6226639	Spring clip
082	6087332	Motor for diverting valve
086	6325072	Casing front panel
087	6304841	Interface panel
090	6304720	Control panel
095	6305140	Rubber cap
096	6245380	Pump connector
099	6305131	Rubber button
101	6324920	Main P.C.B.
700	6281534	Gaskets kit
701	6319695	Murelle-Format-.....o-ring kit
705	6323875	6 pole cable connector CN12
706	6323876	4 pole cable connector CN14
708	6323872	9 pole cable connector CN1
711	6211794	Peephole kit
712	6319700	Springs / clamps kit DIN

713	5202512	Complete control panel
714	6325626	Pump-fan 4 pole connect. CN13
715	6325627	6 pole cable connector CN2
716	6325629	14 pole cable connect.CN15+CN5