



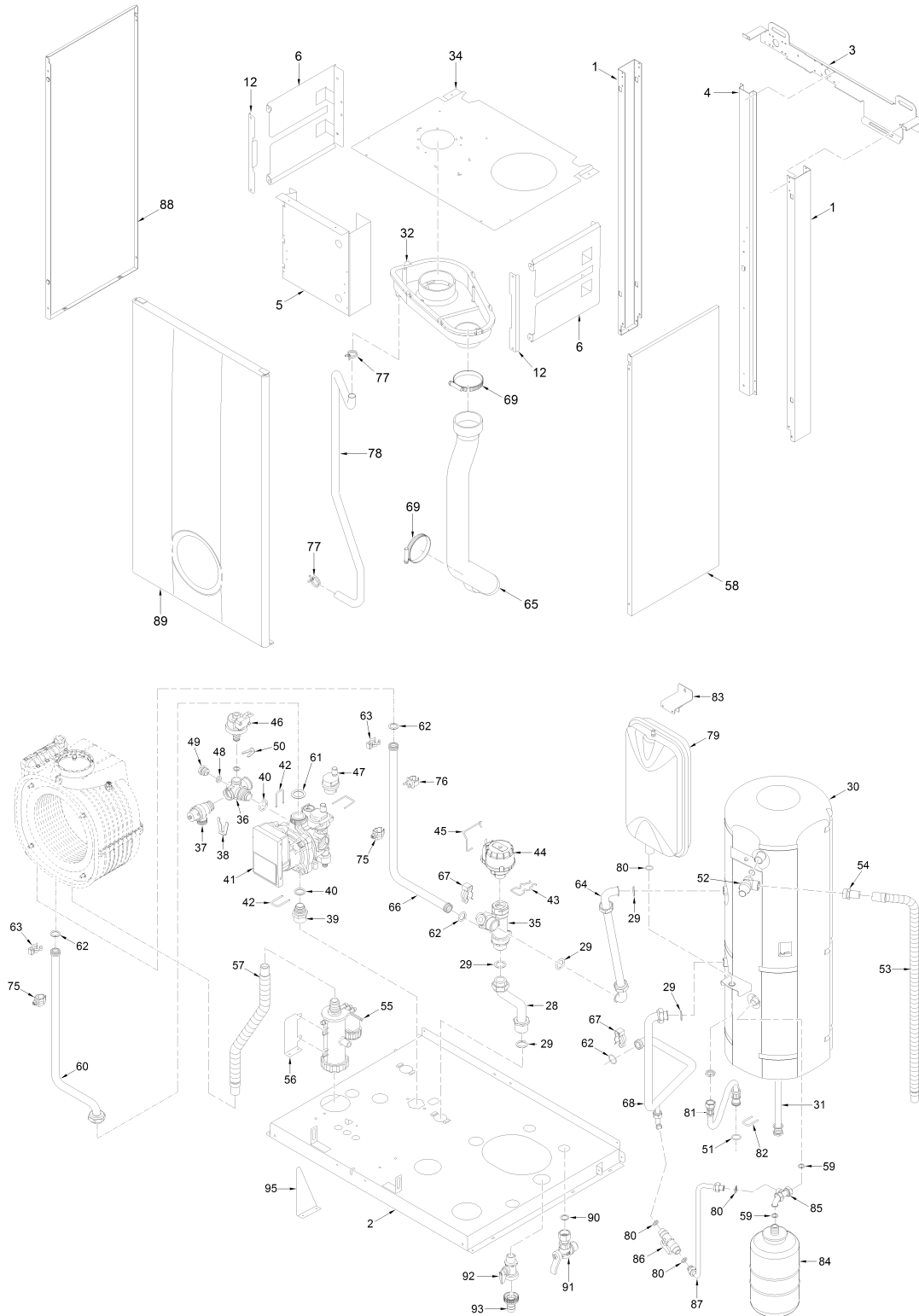
Fonderie Sime S.p.A. - Via Garbo, 27 - 37045 Legnago (VR) - www.sime.it
Tribunale Verona 13531 - R.E.A. VR 171357 - C.C.P. 19423375 - N° Mecc. VR 014435
Capitale Sociale Euro 5.521.200 int. versato - Codice Fiscale/Partita IVA n. IT 01275930236

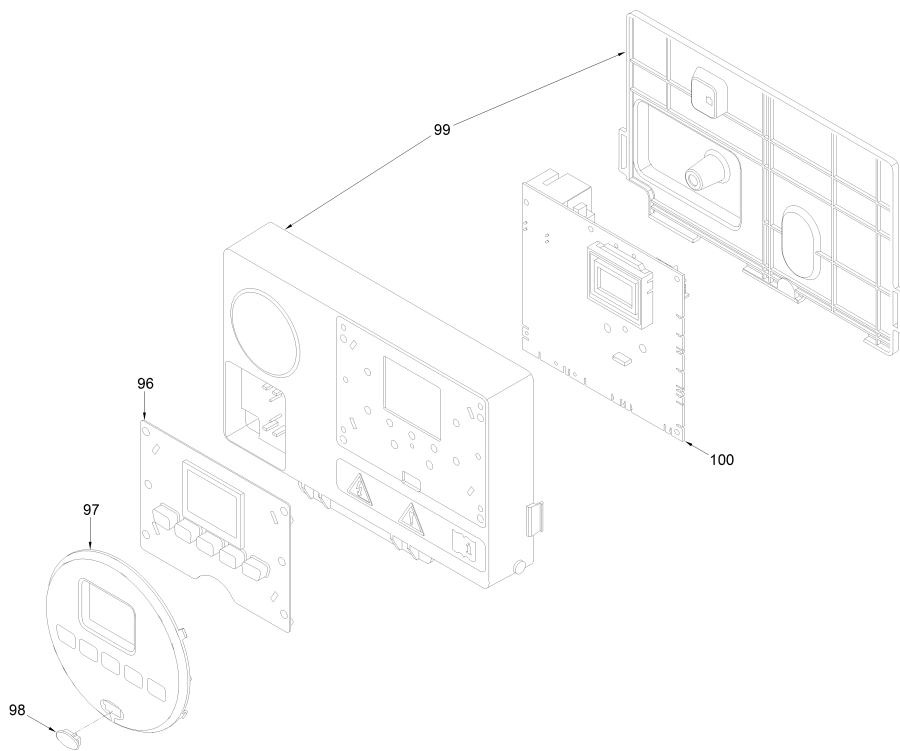
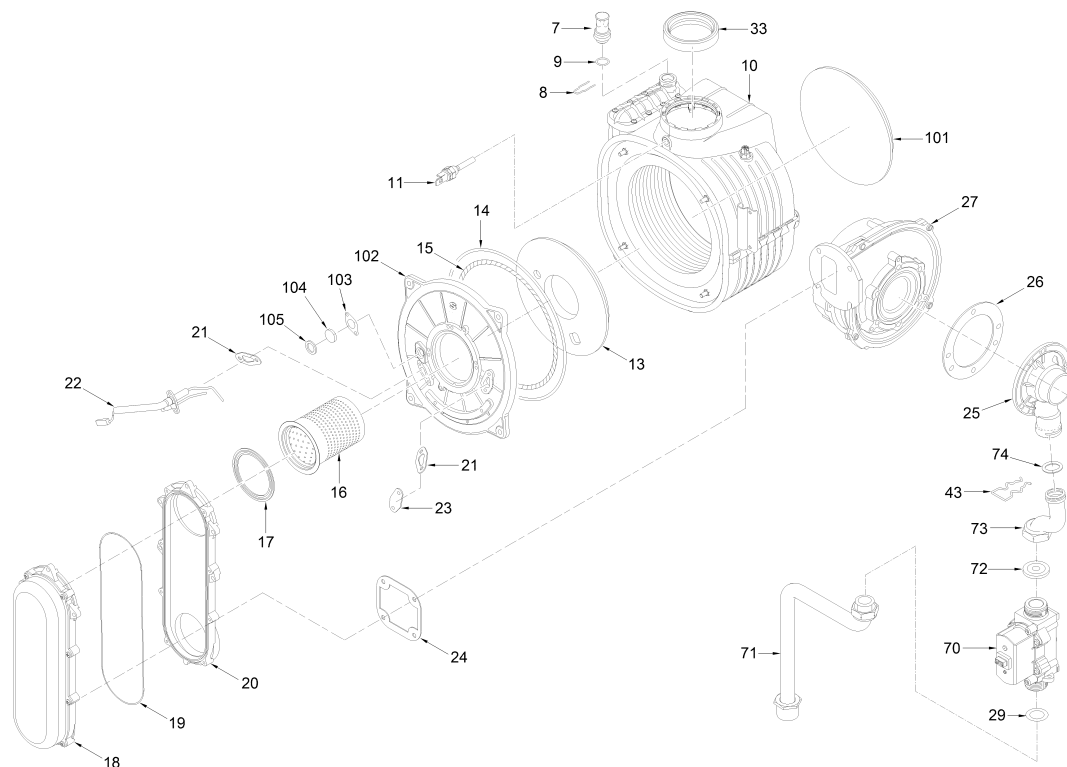
Comfort Ambiente - Via Garbo, 27 - 37045 Legnago (VR)

Tel +39 0442 631111 - Fax Servizio Commerciale: Italia +39 0442 631291 - Estero +39 0442 631293

Fax Servizio Tecnico +39 0442 631292 - Fax Ufficio Acquisti +39 0442 631292 - Fax Amministrazione +39 0442 631336

8114216 CALD.BRAVA SLIM HE 25/55 ERP





Posiz.	Codice	Descrizione
001	6138558	Right/left hand side frame part
002	6138886	Frame assembly lower side
003	6138711	Frame assembly upper support
004	6256714	Sealed chamber rear support
005	6073342	Exchanger support
006	6010890	Support exchangers bracket
007	6147412	Plug for air vent connection
008	6226624	Spring air vent knob
009	6226464	O-ring 115 diam. 11,91x2,62
010	6278913	Main exchanger body
011	6277130	Probe NTC D.4X40
012	6010892	Support exchangers bracket
013	6269008	Main exchanger door insulation
014	6248870	Combustion chamber O-ring
015	6248871	Glass fibre sealing cord
016	8076115	Burner + gasket kit

017	6174828	Gasket for burner flange
018	6278892	Air-gas hose
019	6174819	Air-gas hose gasket
020	6278891	Side low air-gas hose
021	6174809	Gasket for ignition electrode
022	6221672	Ignition-ionisation electrode
023	6285950	Bracket
024	6174816	Gasket for fan flange
025	6274390	Air/gas mixer
026	6028703	Gasket for duct flange
027	6261412	Fan
028	6277966	Flow pipe
029	2030228	Gasket Ø 17x24x2
030	5194303	Insulated stainless steel tank
031	6072708	Magnesium anode + plug 3/4" + O
032	6278703	Smoke chamber
033	6248855	P.C. inlet/outlet smokes gasket
034	6291152	Upper protection shield
035	6265890	Flowing to C.H. system manifold
036	6265837	C.H. return manifold
037	6040225	Pressure relief valve 1/2" 3 ba
038	6226645	Spring clip
039	6120560	Pump nipple 3/4"
040	6226475	ORing diam.18,64x3,53
041	6272360	Modulating circulating pump
042	6226644	Spring clip for rotating connec
043	6226636	D.H.W. elektrovalve fix.spring
044	6087332	Motor for diverting valve
045	6226638	Divertor valve motor spring cli
046	6273612	Water pressure transducer
047	6013182	Automatic air vent
048	2030225	Gasket Ø 5,5x11x2
049	6147401	Plug 1/4"
050	6226639	Spring clip
051	6226476	ORing diam.15x2
052	6029000	Pressure relief valve 1/2" - 7
053	6034123	Flexible pipe L=840
054	6034320	Rubberholder 1/2
055	6277210	Water trap
056	6009578	Fixing bracket
057	6034122	Flexible pipe L=500
058	6242117	Casing right hand side panel
059	2030255	Gasket Ø 12,5x18,5x3
060	6227547	Outlet pipe
061	2030267	Piracriten gasket Ø 30x17x2
062	6226412	O-ring 3068
063	6226619	Spring for heat exchanger conne
064	6199219	Storage tank feeding pipe
065	6001162	Air intake pipe 40
066	6277967	Exchanger exit pipe
067	6226601	Spring for heat exchanger conne
068	6216024	D.H.W. storage tank return pipe
069	2051203	Hose clamp Ø 40-60
070	6243838	Gas valve
071	6277453	Connecting gas valve pipe
072	6050471	Nozzle 530
073	6277444	Pipe connecting gas valve-mixer
074	6226477	Rubber gasket OR Ø 17x3
075	6231372	Temperature sensor
076	6146729	100°C safety stat
077	2051123	Clamp diam. 24,2
078	1010215	Rubber pipe dia. 15x2,5
079	5183722	Rectang. expansion vessel 10 l.
080	2030226	Gasket Ø 10,2x14,8x2
081	6017407	Flex. pipe F.M.3/8"x18,65 L=500
082	6226643	Pipe fixing spring
083	6267109	D.H.W. expans. vessel locking b
084	6245102	Sanitary D.H.W. tank - 2.5 L.
085	6227682	Pipe connecting D.H.W. expans.
086	6146601	Boiler loop 3/8"
087	6199220	Boiler feeding loop
088	6242217	Casing left hand side panel
089	6325082	Casing front panel
090	2030235	Gasket Ø 13.3x18.3x2
091	6177514	Ball cock 1/2" M - 1/2" F
092	6179100	Drain cock 3/8"
093	6179200	Holder complete with locking nu

MET / GPL

095	6321406	Support bracket
096	6305131	Rubber button
097	6304831	Interface panel
098	6305140	Rubber cap
099	6304720	Control panel
100	6324920	Main P.C.B.
101	6281545	Replacement rear insulat. kit
102	5188361	Main exchanger door
103	6311810	Glass fixing flange
104	6020103	Sight glass
105	6248872	Sight glass gasket
701	6278806	Air-gas hose
702	6211794	Peephole kit
703	6319700	Springs / clamps kit DIN
704	6319695	Murelle-Format-.....o-ring kit
705	6281534	Gaskets kit
706	5202513	Complete control panel
707	6325650	4 pole cable connector CN13
708	6325652	6 pole cable connector CN12
709	6325653	4 pole cable connector CN14
710	6325651	14 pole cable connector CN15
711	6325654	9 pole cable connector CN1
712	6325655	6 pole cable connector CN2
713	6231330	Temperature sensor L=1120