



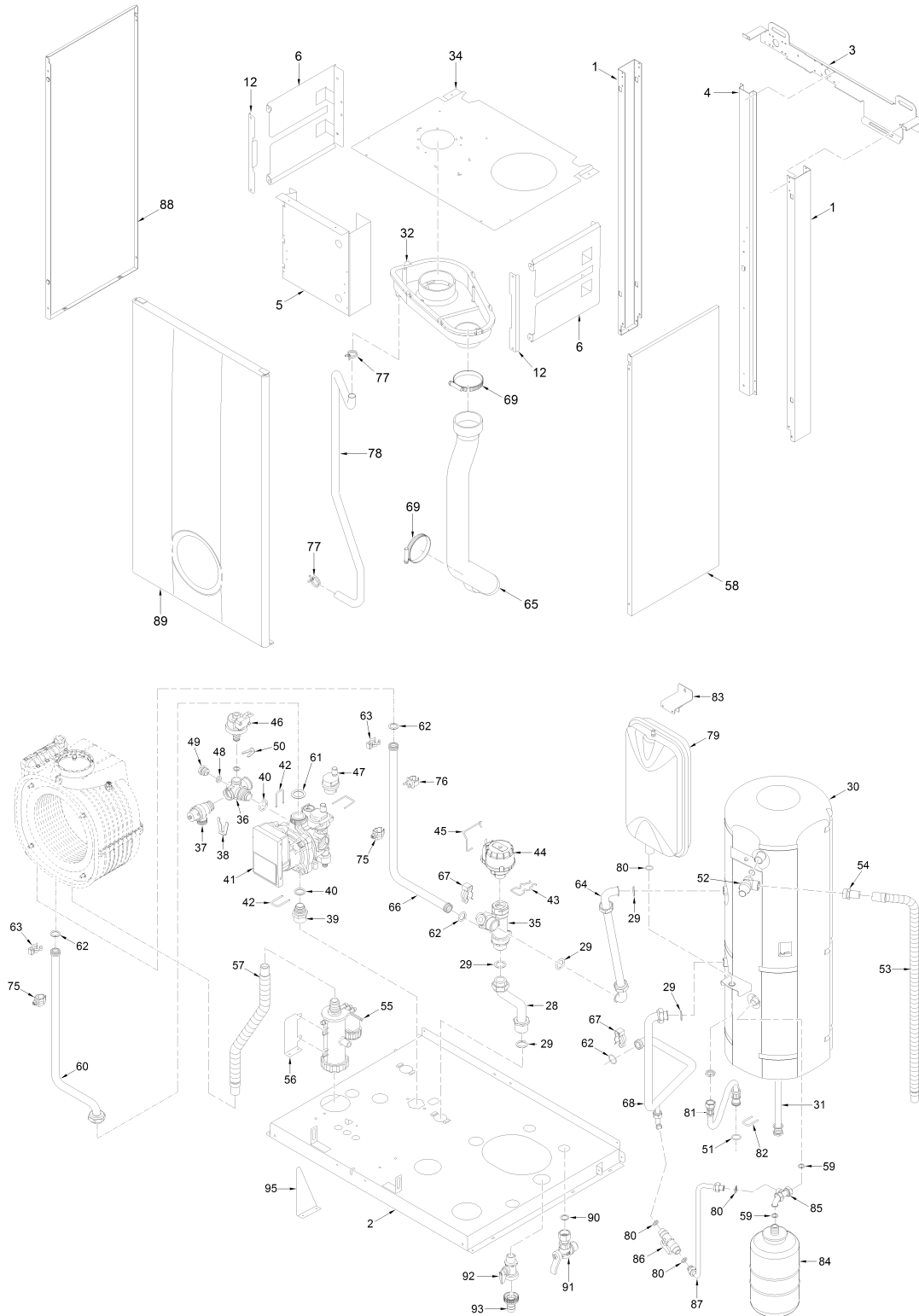
Fonderie Sime S.p.A. - Via Garbo, 27 - 37045 Legnago (VR) - [www.sime.it](http://www.sime.it)  
Tribunale Verona 13531 - R.E.A. VR 171357 - C.C.P. 19423375 - N° Mecc. VR 014435  
Capitale Sociale Euro 5.521.200 int. versato - Codice Fiscale/Partita IVA n. IT 01275930236

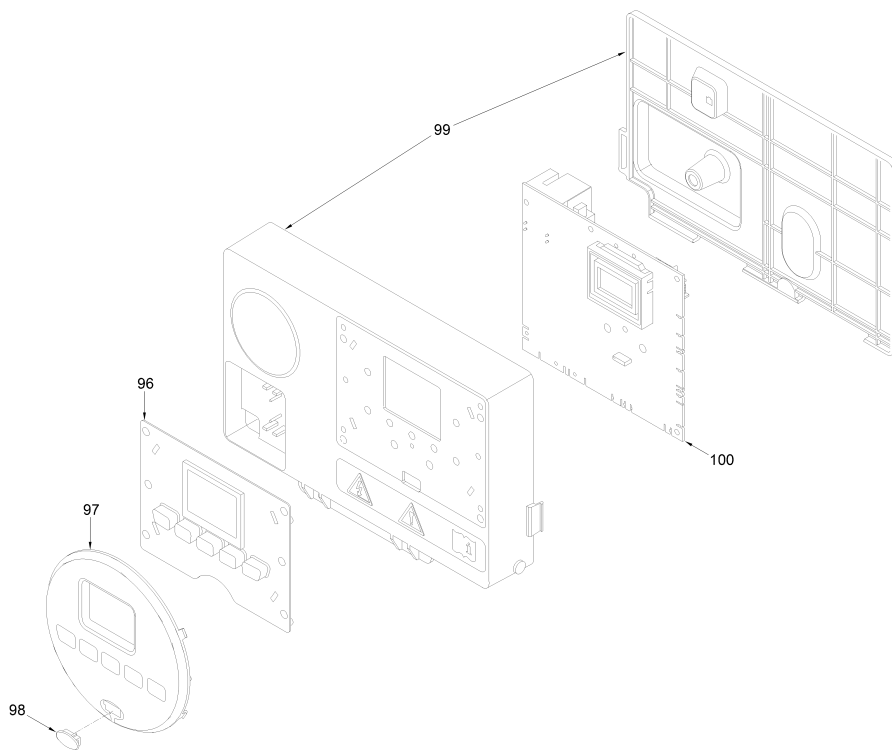
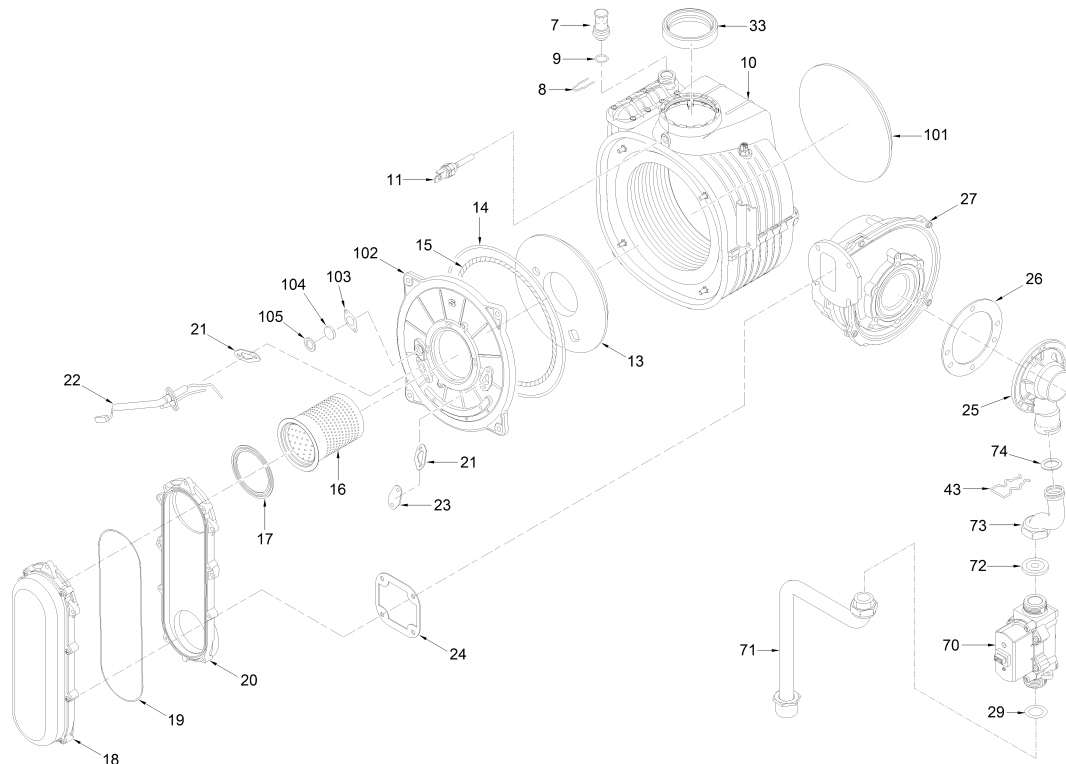
Comfort Ambiente - Via Garbo, 27 - 37045 Legnago (VR)

Tel +39 0442 631111 - Fax Servizio Commerciale: Italia +39 0442 631291 - Estero +39 0442 631293

Fax Servizio Tecnico +39 0442 631292 - Fax Ufficio Acquisti +39 0442 631292 - Fax Amministrazione +39 0442 631336

8114218 CALD. BRAVA SLIM HE 30/55 ERP





| Posiz. | Codice  | Descrizione                     |
|--------|---------|---------------------------------|
| 001    | 6138558 | Right/left hand side frame part |
| 002    | 6138886 | Frame assembly lower side       |
| 003    | 6138711 | Frame assembly upper support    |
| 004    | 6256714 | Sealed chamber rear support     |
| 005    | 6073342 | Exchanger support               |
| 006A   | 6010891 | Support exchangers bracket      |
| 007    | 6147412 | Plug for air vent connection    |
| 008    | 6226624 | Spring air vent knob            |
| 009    | 6226464 | O-ring 115 diam. 11,91x2,62     |
| 010A   | 6278912 | Main exchanger body             |
| 011    | 6277130 | Probe NTC D.4X40                |
| 012    | 6010892 | Support exchangers bracket      |
| 013    | 6269008 | Main exchanger door insulation  |
| 014    | 6248870 | Combustion chamber O-ring       |
| 015    | 6248871 | Glass fibre sealing cord        |
| 016A   | 8076116 | Burner + gasket kit             |

|      |         |                                 |
|------|---------|---------------------------------|
| 017  | 6174828 | Gasket for burner flange        |
| 018  | 6278892 | Air-gas hose                    |
| 019  | 6174819 | Air-gas hose gasket             |
| 020  | 6278891 | Side low air-gas hose           |
| 021  | 6174809 | Gasket for ignition electrode   |
| 022  | 6221672 | Ignition-ionisation electrode   |
| 023  | 6285950 | Bracket                         |
| 024  | 6174816 | Gasket for fan flange           |
| 025A | 6274391 | Air/gas mixer                   |
| 026  | 6028703 | Gasket for duct flange          |
| 027  | 6261412 | Fan                             |
| 028  | 6277966 | Flow pipe                       |
| 029  | 2030228 | Gasket Ø 17x24x2                |
| 030  | 5194303 | Insulated stainless steel tank  |
| 031  | 6072708 | Magnesium anode + plug 3/4" + O |
| 032  | 6278703 | Smoke chamber                   |
| 033  | 6248855 | P.C. inlet/outlet smokes gasket |
| 034  | 6291152 | Upper protection shield         |
| 035  | 6265890 | Flowing to C.H. system manifold |
| 036  | 6265837 | C.H. return manifold            |
| 037  | 6040225 | Pressure relief valve 1/2" 3 ba |
| 038  | 6226645 | Spring clip                     |
| 039  | 6120560 | Pump nipple 3/4"                |
| 040  | 6226475 | ORing diam.18,64x3,53           |
| 041  | 6272360 | Modulating circulating pump     |
| 042  | 6226644 | Spring clip for rotating connec |
| 043  | 6226636 | D.H.W. elektrovalve fix.spring  |
| 044  | 6087332 | Motor for diverting valve       |
| 045  | 6226638 | Divertor valve motor spring cli |
| 046  | 6273612 | Water pressure transducer       |
| 047  | 6013182 | Automatic air vent              |
| 048  | 2030225 | Gasket Ø 5,5x11x2               |
| 049  | 6147401 | Plug 1/4"                       |
| 050  | 6226639 | Spring clip                     |
| 051  | 6226476 | ORing diam.15x2                 |
| 052  | 6029000 | Pressure relief valve 1/2" - 7  |
| 053  | 6034123 | Flexible pipe L=840             |
| 054  | 6034320 | Rubberholder 1/2                |
| 055  | 6277210 | Water trap                      |
| 056  | 6009578 | Fixing bracket                  |
| 057  | 6034122 | Flexible pipe L=500             |
| 058  | 6242117 | Casing right hand side panel    |
| 059  | 2030255 | Gasket Ø 12,5x18,5x3            |
| 060  | 6227547 | Outlet pipe                     |
| 061  | 2030267 | Piracriten gasket Ø 30x17x2     |
| 062  | 6226412 | O-ring 3068                     |
| 063  | 6226619 | Spring for heat exchanger conne |
| 064  | 6199219 | Storage tank feeding pipe       |
| 065  | 6001162 | Air intake pipe 40              |
| 066  | 6277967 | Exchanger exit pipe             |
| 067  | 6226601 | Spring for heat exchanger conne |
| 068  | 6216024 | D.H.W. storage tank return pipe |
| 069  | 2051203 | Hose clamp Ø 40-60              |
| 070  | 6243838 | Gas valve                       |
| 071  | 6277453 | Connecting gas valve pipe       |
| 072A | 6050472 | Nozzle 650 MET / GPL            |
| 073A | 6277446 | Pipe connecting gas valve-mixer |
| 074  | 6226477 | Rubber gasket OR Ø 17x3         |
| 075  | 6231372 | Temperature sensor              |
| 076  | 6146729 | 100°C safety stat               |
| 077  | 2051123 | Clamp diam. 24,2                |
| 078  | 1010215 | Rubber pipe dia. 15x2,5         |
| 079  | 5183722 | Rectang. expansion vessel 10 l. |
| 080  | 2030226 | Gasket Ø 10,2x14,8x2            |
| 081  | 6017407 | Flex. pipe F.M.3/8"x18,65 L=500 |
| 082  | 6226643 | Pipe fixing spring              |
| 083  | 6267109 | D.H.W. expans. vessel locking b |
| 084  | 6245102 | Sanitary D.H.W. tank - 2.5 L.   |
| 085  | 6227682 | Pipe connecting D.H.W. expans.  |
| 086  | 6146601 | Boiler loop 3/8"                |
| 087  | 6199220 | Boiler feeding loop             |
| 088  | 6242217 | Casing left hand side panel     |
| 089  | 6325082 | Casing front panel              |
| 090  | 2030235 | Gasket Ø 13.3x18.3x2            |
| 091  | 6177514 | Ball cock 1/2" M - 1/2" F       |
| 092  | 6179100 | Drain cock 3/8"                 |
| 093  | 6179200 | Holder complete with locking nu |

|     |         |                                |
|-----|---------|--------------------------------|
| 095 | 6321406 | Support bracket                |
| 096 | 6305131 | Rubber button                  |
| 097 | 6304831 | Interface panel                |
| 098 | 6305140 | Rubber cap                     |
| 099 | 6304720 | Control panel                  |
| 100 | 6324920 | Main P.C.B.                    |
| 101 | 6281545 | Replacement rear insulat. kit  |
| 102 | 5188361 | Main exchanger door            |
| 103 | 6311810 | Glass fixing flange            |
| 104 | 6020103 | Sight glass                    |
| 105 | 6248872 | Sight glass gasket             |
| 701 | 6278806 | Air-gas hose                   |
| 702 | 6211794 | Peephole kit                   |
| 703 | 6319700 | Springs / clamps kit DIN       |
| 704 | 6319695 | Murelle-Format-.....o-ring kit |
| 705 | 6281534 | Gaskets kit                    |
| 706 | 5202513 | Complete control panel         |
| 707 | 6325650 | 4 pole cable connector CN13    |
| 708 | 6325652 | 6 pole cable connector CN12    |
| 709 | 6325653 | 4 pole cable connector CN14    |
| 710 | 6325651 | 14 pole cable connector CN15   |
| 711 | 6325654 | 9 pole cable connector CN1     |
| 712 | 6325655 | 6 pole cable connector CN2     |
| 713 | 6231330 | Temperature sensor L=1120      |