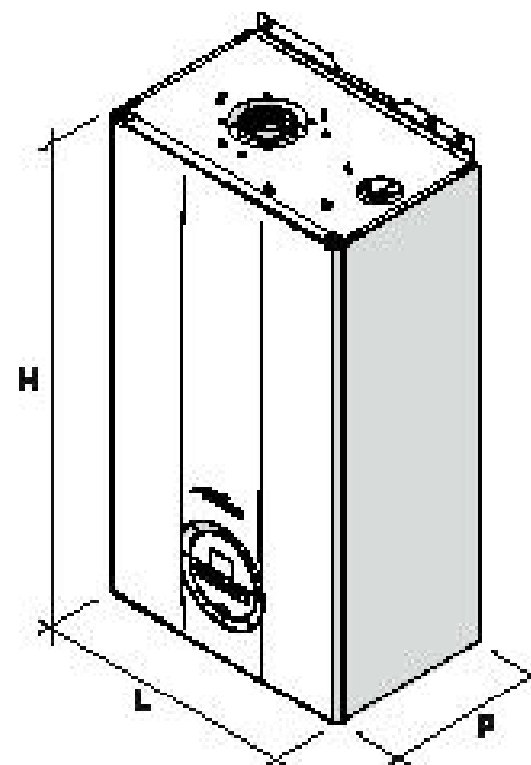
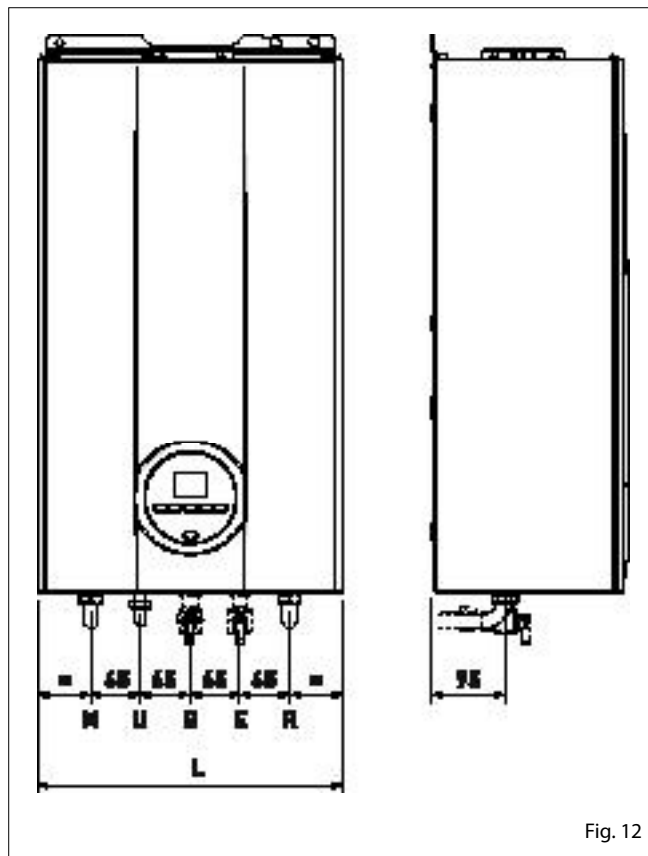


ROZMĚRY: BRAVA SLIM HE



| Popis | Format Slim a Brava Slim HE | | | |
|----------------------|-----------------------------|----|----|----|
| | 25 | 30 | 35 | 40 |
| M - Topná voda | Ø 3/4" G | | | |
| R - Zpětná voda | Ø 3/4" G | | | |
| U - Výstup TUV | Ø 1/2" G | | | |
| E - Vstup vody | Ø 1/2" G | | | |
| G - Plynové potrubí | Ø 3/4" G | | | |
| S - odvod kondenzátu | Ø 20 mm | | | |

| Popis | Format One HE a Brava Slim HE | | | |
|-----------|-------------------------------|------|------|------|
| | 25 | 30 | 35 | 40 |
| L (mm) | 400 | | | |
| P (mm) | 250 | 250 | 250 | 300 |
| H (mm) | 700 | | | |
| Peso (kg) | 28,5 | 28,5 | 30,0 | 32,5 |